



MPO CONNECTORS



MPO CONNECTORS



MPO connectors are becoming increasingly popular due to their high density applications in the marketplace.

MPO connectors offer a higher fiber density than standard connectors, providing space and cost savings for the network.

Amphenol's MPO connectors are offered with 8, 12, and 24 fiber count options.

Amphenol's MPO connectors are available for ribbon or round style cables. Amphenol's MPO connectors meet TIA/EIA 604-5 and IEC 61754-7 standards.

Features and Benefits

Angled boots for round cable (50 degree, 90 degree, and flexible boot from 0 to 90 degree)

Optional Amphenol push/pull tab for installation in tighter spaces

Available in a wide variety of connector types, cable designs, and lengths

Singlemode and Multimode versions

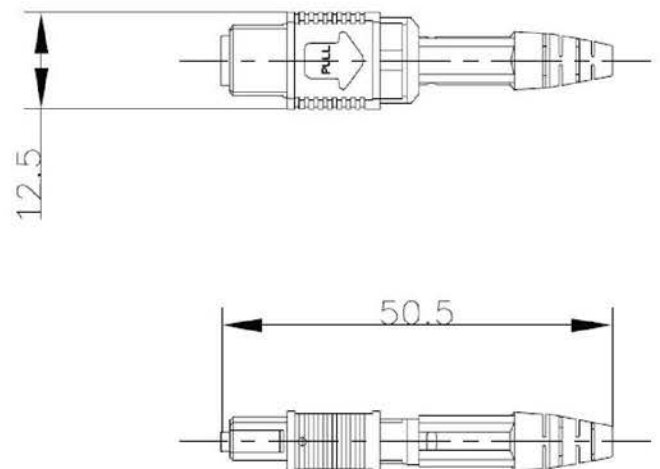
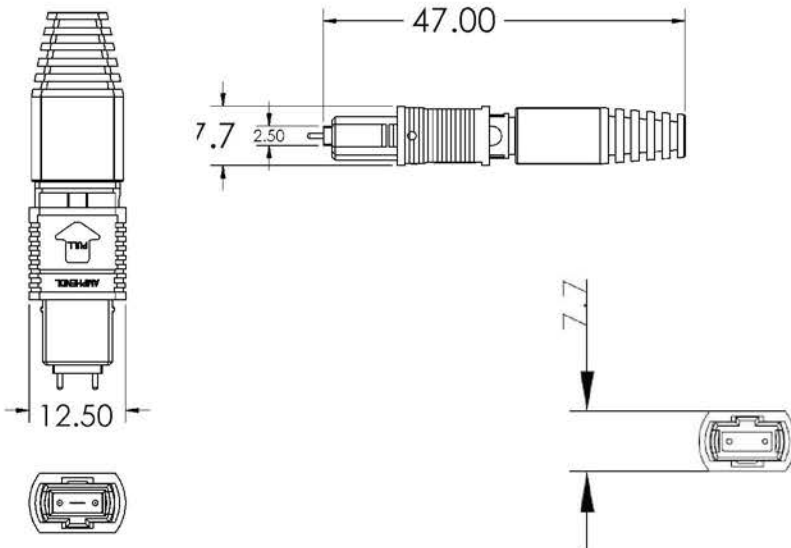
Specifications

Insertion Loss: $\leq 0.75\text{dB}$, APC
 $\leq 0.50\text{dB}$, M/M
 $\leq 0.35\text{dB}$, Low Loss

Return Loss: $\leq 55\text{dB}$ S/M Angle (APC)

Durability: $< 0.2\text{dB}$ change, 200 mating cycles

Amphenol
FIBER OPTIC PRODUCTS



MPO VARIATIONS



12 Fiber



24 Fiber

Fiber Count



Round



Ribbon

Cable Type



Standard



Flex Boot



Ribbon Boot

Boots



45°



90°



2.0mm