

FC Adapters

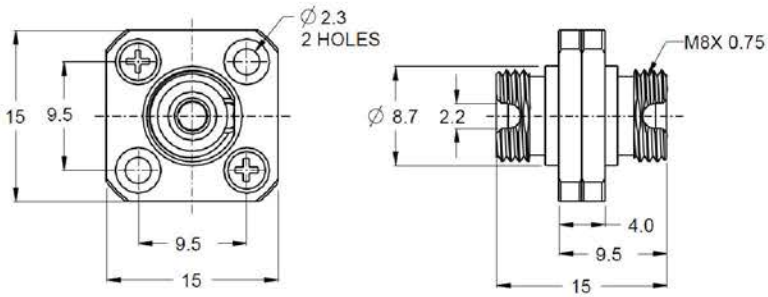
Amphenol FC adapters are precision manufactured to produce reliable and consistent performance. The FC adapters are mechanically and optically intermateable with NTT FC type products and conform to JIS C 5970. Available in bulkhead feed-through designs. These adapters are available with high precision zirconia or phosphor bronze alignment sleeves. Flange mount or D-hole mount adapter styles are available (standard or tight fit key configurations for APC).



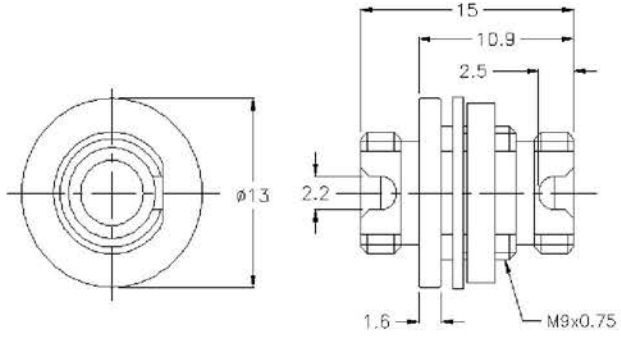
Part # (FC Adapter)	Description	Alignment Sleeve Material	Flange Type	Body
944-120-6000	FC Simplex adapter, metal body, singlemode	Zirconia 3.0mm	Square, Screw mount	Metal
944-120-6001	FC Simplex adapter, metal body, multimode	Phosphor Bronze	Square, Screw mount	Metal
944-125-6003	FC Simplex adapter, metal body, singlemode	Zirconia	Feed-through, D-hole	Metal
944-125-6002	FC Simplex adapter, metal body, multimode	Phosphor Bronze	Feed-through, D-hole	Metal
944-125-6004	FC/APC Simplex adapter, singlemode, Tight Keyway	Zirconia	Feed-through, D-hole	Metal

Part # (FC Hybrid Adapter)	Description	Alignment Sleeve Material	Flange Type	Body
954-944-5001	SC-FC Hybrid simplex adapter, singlemode	Zirconia	Square, Screw mount	Metal
954-944-5000	SC-FC Hybrid simplex adapter, multimode	Phosphor Bronze	Square, Screw mount	Metal

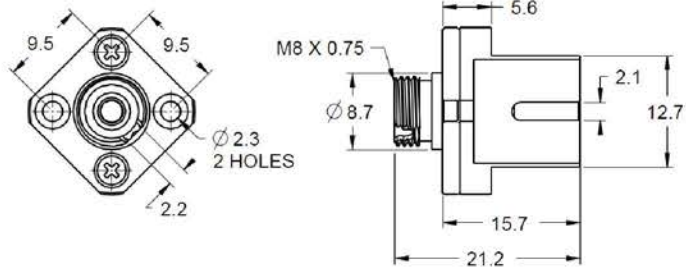
Part # (Accessories)	Description
944-120-1014	FC Dust Cap with Chain, Coupling Nut with Cap



FC Square Adapter Screw Mount



FC D Hole Adapter



SC - FC Hybrid Adapter

